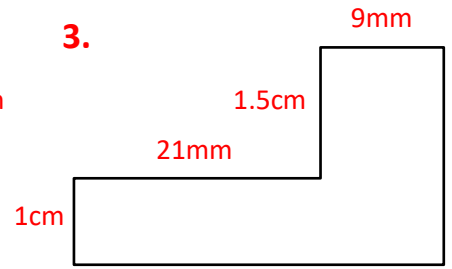
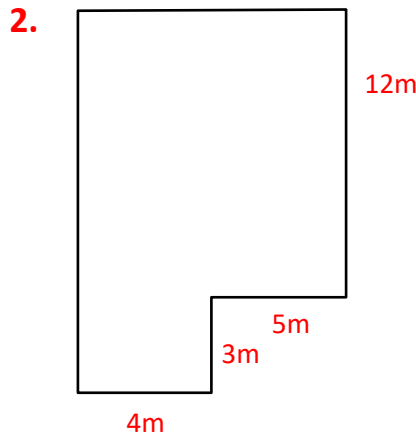
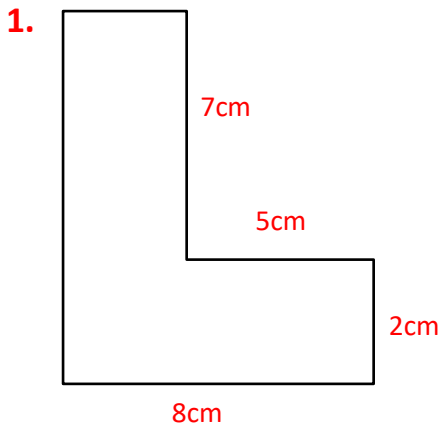


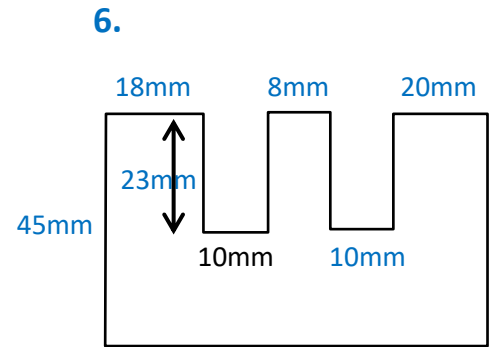
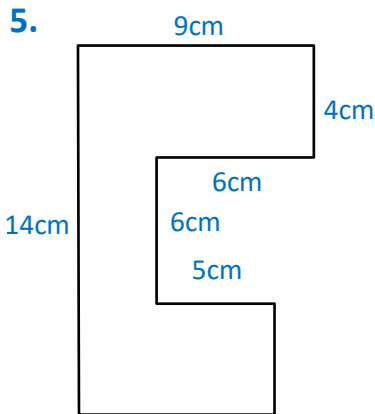
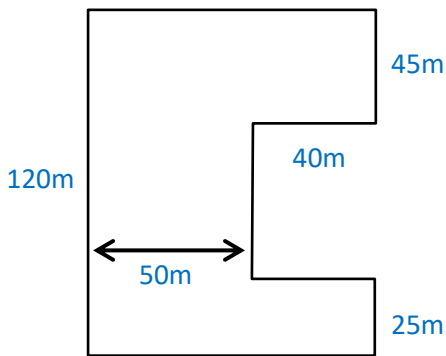
Perimeter and area of compound shapes

Choose either the do it, use it or own it and **find the perimeter and the area of each of these shapes**. Write in missing lengths that you calculate. **You can write your answers on the sheet then stick it in your maths home learning book.**

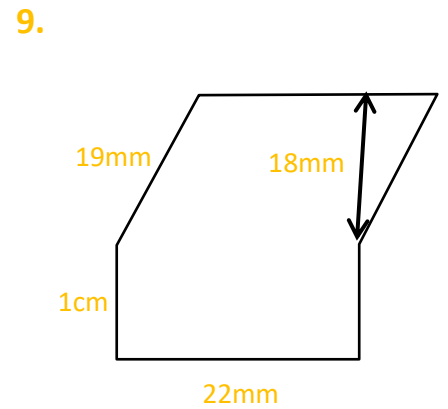
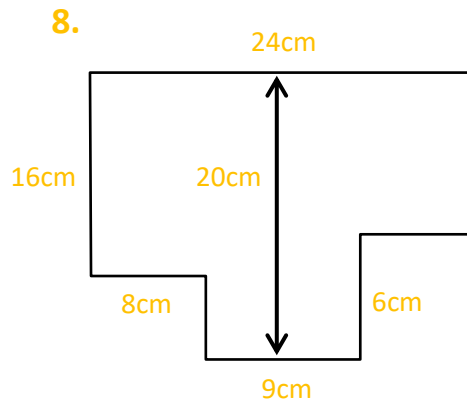
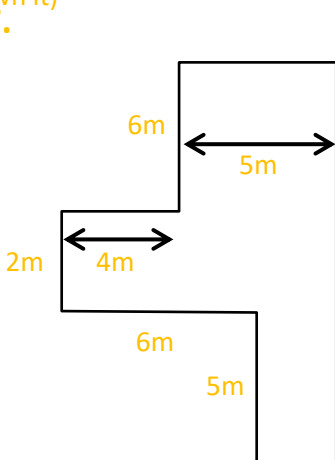
(Do it)



(Use it)



(Own it)



(This shape is made from a rectangle and a parallelogram)

NB. Diagrams not drawn to scale